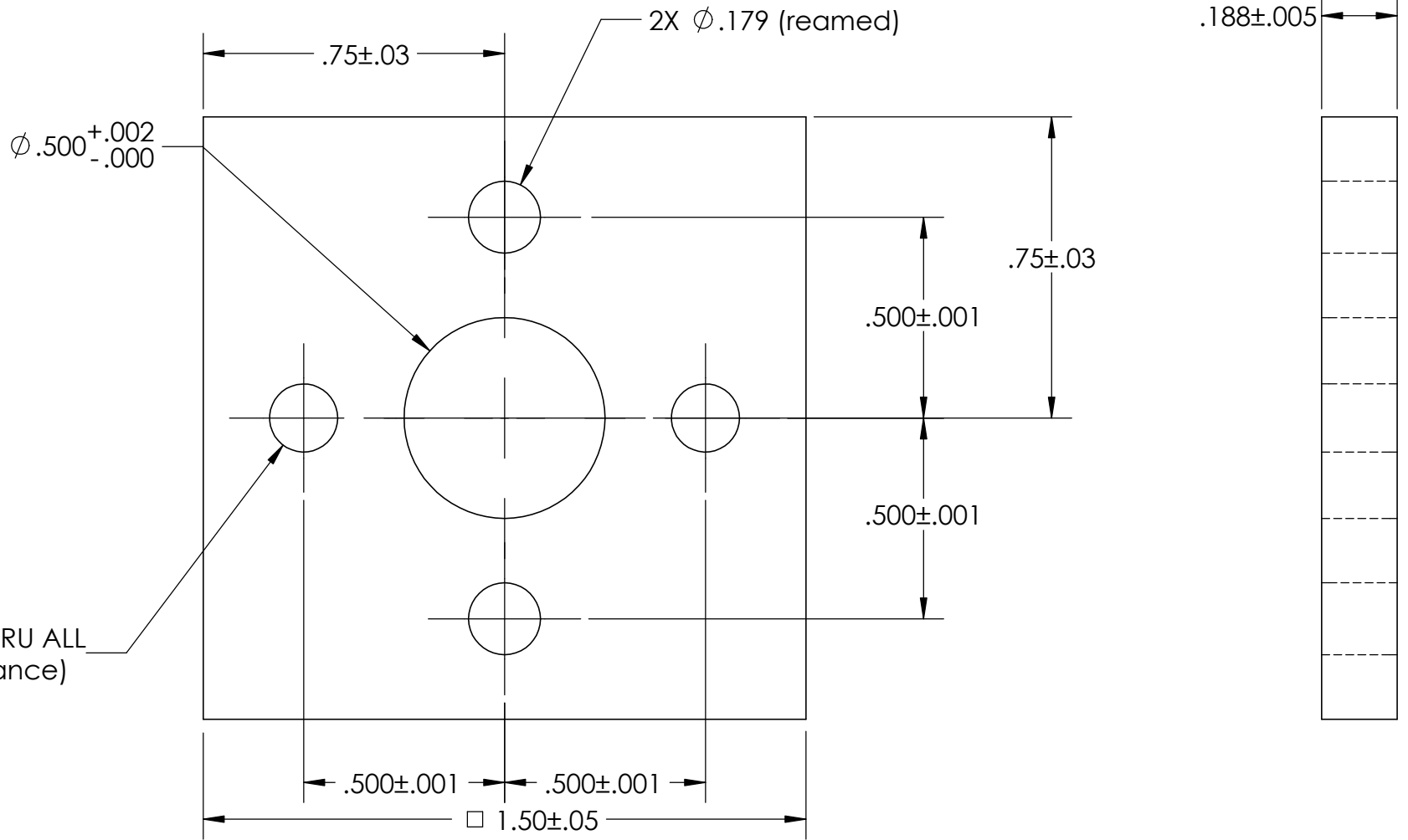


2X ϕ .170 THRU ALL
(8-32 clearance)



PROPRIETARY AND CONFIDENTIAL
THE INFORMATION CONTAINED IN THIS DRAWING IS THE SOLE PROPERTY OF Pink Nose Research. ANY REPRODUCTION IN PART OR AS A WHOLE WITHOUT THE WRITTEN PERMISSION OF Andrew Wright IS PROHIBITED.

| | | | | | | |
|-------------|---------|---------------------------------|--|-----------|------|--------------------|
| | | DIMENSIONS ARE IN INCHES | | NAME | DATE | Pink Nose Research |
| | | TOLERANCES: | | ABW | | |
| | | FRACTIONAL \pm | | CHECKED | | Bearing Holder |
| | | ANGULAR: MACH \pm BEND \pm | | ENG APPR. | | |
| | | TWO PLACE DECIMAL \pm 0.01 | | MFG APPR. | | |
| | | THREE PLACE DECIMAL \pm 0.001 | | Q.A. | | |
| | | MATERIAL | | COMMENTS: | | |
| | | Aluminum | | | | |
| NEXT ASSY | USED ON | FINISH | | | | SIZE |
| | | -- | | | | DWG. NO. |
| APPLICATION | | DO NOT SCALE DRAWING | | | | REV. |
| | | | | | | SCALE: 2:1 |
| | | | | | | WEIGHT: |
| | | | | | | SHEET 1 OF 1 |