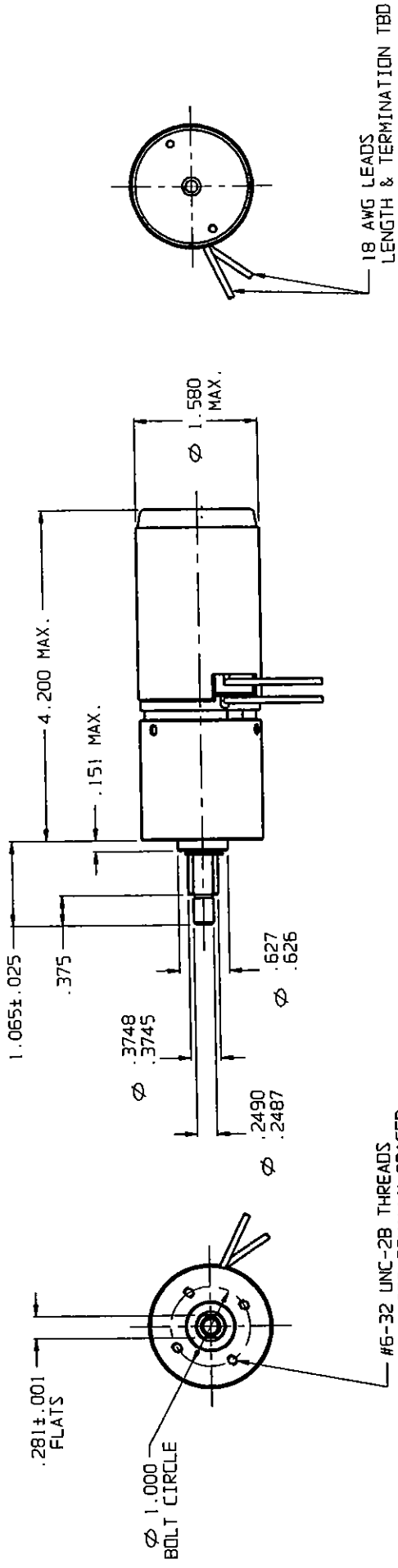


REV. NO. 409A587	
REVISIONS	DATE APPROVED
DESCRIPTION	
REV	



NOTES:

1. ROTATION (BI-DIRECTIONAL): WHEN RED LEAD IS POSITIVE (+) AND BLACK LEAD IS NEGATIVE (-) ROTATION IS COUNTER CLOCKWISE VIEWING THE SHAFT END.
2. PERFORMANCE:
 VOLTAGE: 10 VDC
 NO LOAD SPEED: 81 ± 7
 NO LOAD CURRENT: .820 AMPS MAX.
 STALL TORQUE: 150 IN.-LB.

NOT RELEASED - FOR REFERENCE ONLY

		GLOBE MOTORS 2275 Stanley Ave. Dayton, Oh 45404 A Division of Labinal Components and Systems, Inc.	
DIMENSIONS ARE IN INCHES. UNLESS OTHERWISE SPECIFIED		DECIMAL .X ± .030 FRACTION 1/64 .XX ± .010 ANGLE 1° .XXX ± .005	REG DRAWN RJM CHK ENGR APPD APPD
MATERIAL 410A587		TITLE GEARMOTOR	SIZE C 25140
HEAT TREAT ---		CAGE CODE 409A587	SCALE FULL 1 OF 1
COATING ---		SHOP STD. 535100 SUPPLEMENTS THIS DWG. SHALL BE OF LATEST ISSUE.	

GLOBE MOTORS Performance Data

P/N 409A587

MAX RATED TORQUE = 2400 OZ-IN

WWW.GLOBE-MOTORS.COM

Date of Printing: 01-21-1999

Time of Printing: 17:10:21

APPLICATION DATA FILE:

MOTOR NUMBER: Model Motor

COMPUTED PERFORMANCE DATA

No Load Speed (rpm)	79.87
Stall Torque (oz-in)	3194.53
No Load Current (amps)	0.58
Stall Current (amps)	21.58
RMS Torque (oz-in)	0.00
Max Efficiency (%)	53.77
Max Power Out (watts)	47.16
Max Temp (deg C)	1812.95
Rated Torque (oz-in)	0.00

PERFORMANCE AT CURSOR

Speed (rpm)	74.28
Torque (oz-in)	223.62
Current (amps)	2.05
Temp Rise (deg C)	60.45
Power Output (watts)	12.28
Efficiency (%)	49.92

MODEL MOTOR CONSTANTS

Motor Voltage (volts DC)	12
Torque Constant (oz-in/amp)	1.69
Winding Resistance (ohms)	.556
Temperature Rise (deg C/watt)	7
Typical No Load Torque (oz-in)	.98
Motor Inertia (oz-in-s ²)	

MODEL MOTOR GEAR BOX DATA

Gear Box Reduction Ratio (x:1)	117
Torque Multiplier	90
Gear Box Inertia (oz-in-s ²)	

MODEL MOTOR DERIVED DATA

Motor Slope (rpm/oz-in)	0.03
Voltage Constant (Volts/Krpm)	1.25
Gear Box Efficiency (%)	76.92